



180 Lafayette Road
 North Hampton, NH 03862-2448
 PH: 603-964-3165
 FX: 603-964-3168
 WWW.PDEELECTRONICS.COM

High Voltage Rectifier, Doubler and Center Taps

Fast Recovery
 MRF, and MRFS Series

FEATURES

- Low Reverse Leakage Currents
- Corona Free design
- Low Forward Voltage Drop
- Easy Aluminum Base Mount

QUICK REFERENCE DATA

- $V_R=2.5KV$ & $30KV$
- $T_{rr}= 150 - 250$ nsec
- $I_F = 500mA$ to $2.0A$
- $I_R = 0.5\mu A$

ABSOLUTE MAXIMUM RATINGS

Device	Working Reverse Voltage V_{RWM}	Average Rectified Current I_{FAVM}	Maximum Forward Voltage Per Leg $V_F @ I_F$	Maximum Leakage Current Per Leg $I_R @ V_{RWM}$	1 Cycle Surge Current $T_p=8.3mS$	Maximum Reverse Recovery T_{RR}^*	Case Length
	Volts	Amps	Volts	μA	Amps	nS	Dim C Inches
MRF2500	2500	0.5	6.0	0.5	50	150	3.36
MRF5000	5000	0.5	9.0	0.5	50	150	3.36
MRF7500	7500	0.5	12.0	0.5	50	150	4.04
MRF10000	10000	0.5	15.0	0.5	50	150	4.04
MRF12500	12500	0.5	20.0	0.5	50	150	4.72
MRF15000	15000	0.5	24.0	0.5	50	150	6.09
MRF20000	20000	0.5	30.0	0.5	50	150	6.09
MRF25000	25000	0.5	40.0	0.5	50	150	6.09
MRF30000	30000	0.5	48.0	0.5	50	150	6.09
MRFS2500	2500	1.0	4.0	0.5	100	250	3.36
MRFS5000	5000	1.0	7.0	0.5	100	250	4.04
MRFS7500	7500	1.0	11.0	0.5	100	250	4.72
MRFS10000	10000	1.0	13.0	0.5	100	250	6.09
MRFS12500	12500	1.0	17.0	0.5	100	250	6.09
MRFS15000	15000	1.0	22.0	0.5	100	250	6.09
MRFS20000	20000	1.0	26.0	0.5	100	250	6.09
MRFS25000	25000	1.0	34.0	0.5	100	250	6.09
MRF*2500	2500	1.0	6.0	0.5	50	150	3.36
MRF*5000	5000	1.0	9.0	0.5	50	150	4.72
MRF*7500	7500	1.0	12.0	0.5	50	150	6.09
MRF*10000	10000	1.0	15.0	0.5	50	150	6.09
MRF*12500	12500	1.0	20.0	0.5	50	150	6.09
MRF*15000	15000	1.0	24.0	0.5	50	150	6.09
MRFS*2500	2500	2.0	4.0	0.5	100	250	4.04
MRFS*5000	5000	2.0	7.0	0.5	100	250	6.09
MRFS*7500	7500	2.0	11.0	0.5	100	250	6.09
MRFS*10000	10000	2.0	13.0	0.5	100	250	6.09
MRFS*12500	12500	2.0	17.0	0.5	100	250	6.09

*Measured on discretes prior to assembly in reverse recovery circuit switching from 0.5A forward to 1.0A reverse current recovering to 0.25A reverse current.

Specifications subject to change without notice to ensure a better product

PD&E Electronics 180 Lafayette Rd. North Hampton, NH 03862
 Ph: (603) 964-3165 Fx: (603) 964-3168 Web: WWW.PDEELECTRONICS.COM

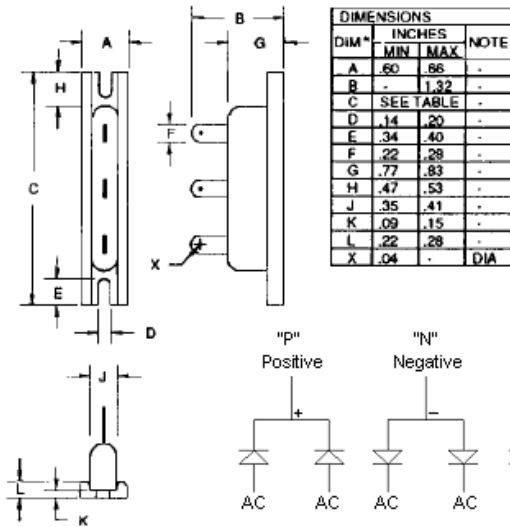


180 Lafayette Road
 North Hampton, NH 03862-2448
 PH: 603-964-3165
 FX: 603-964-3168
 WWW.PDEELECTRONICS.COM

High Voltage Rectifier, Doubler and Center Taps

Fast Recovery
 MRF, and MRFS Series

MECHANICAL CHARACTERISTICS



Marking: Manufacturer
 Part Number
 Date Code

Case: Aluminum, Black Anodized

Polarity: Positive: Red
 Negative: Black
 AC: Yellow

* For Center Taps and Doublers:

Different circuit arrangements are identified by using a Circuit Code letter (i.e): P – N – D

Positive Center Tap: MRP5000
 Negative Center Tap: MRSN15000
 Doubler: MRSD7500

For Halfwave Rectifiers:

For Halfwave Assemblies the center terminal is omitted.

THERMAL CHARACTERISTICS

Operating and Storage Temperature.....-55°C to +150°C